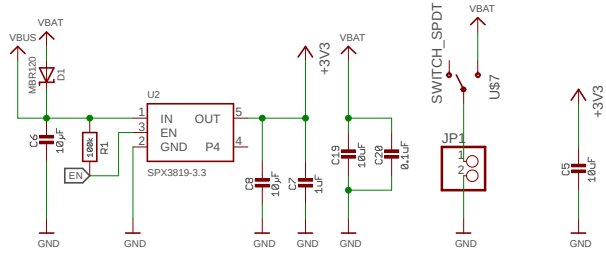
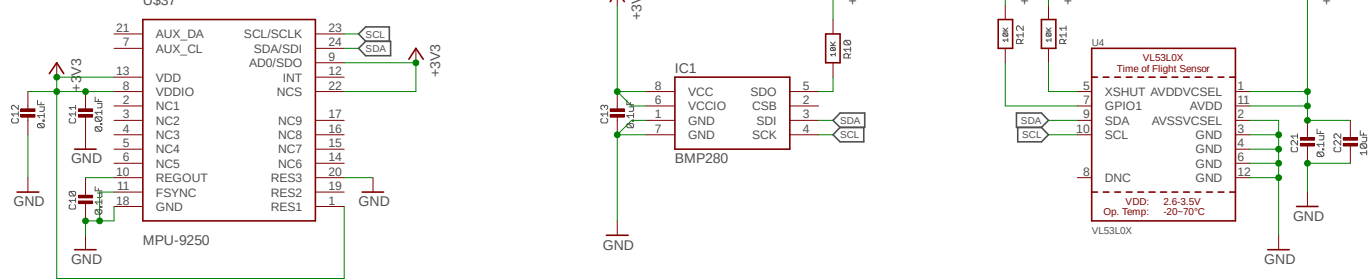


### Power Supply

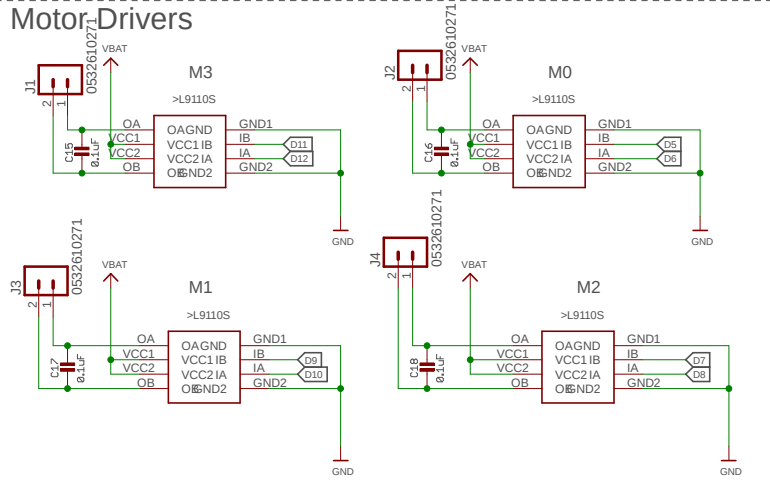


### Sensors

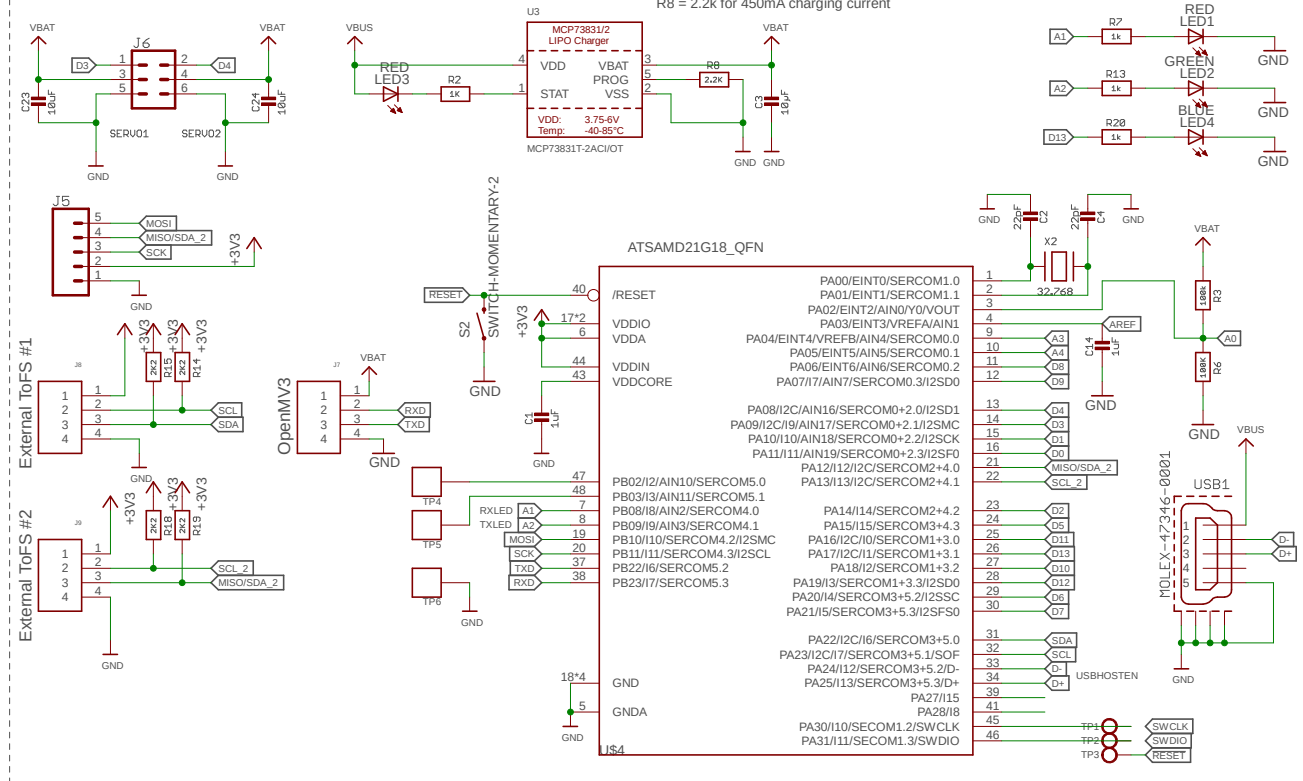
MPU Default Address:  
High: 0b1101001 ↩ 0x69



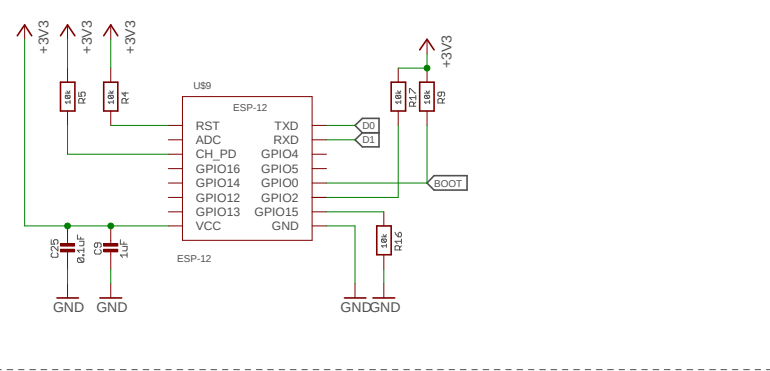
### Motor Drivers



### MicroController and connectors



### WiFi Board



Blimpduino v0.1

|                       |
|-----------------------|
| Title: Blimpduino_v4e |
| Version:              |
| 11/09/2018 11:41      |
| Drawn By:             |
| 1/1                   |